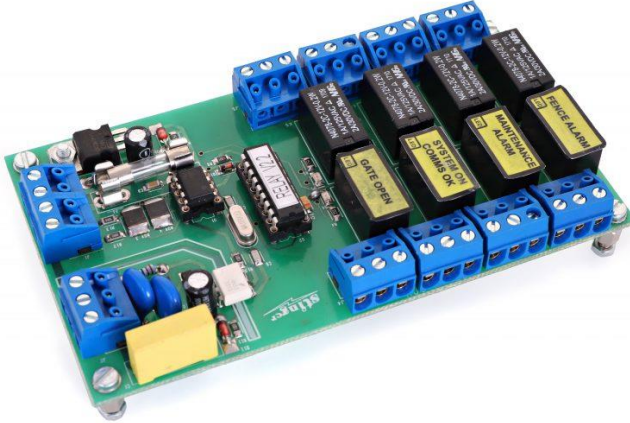


# 8 CHANNEL RELAY CARD

8CHRELAY

Datasheet

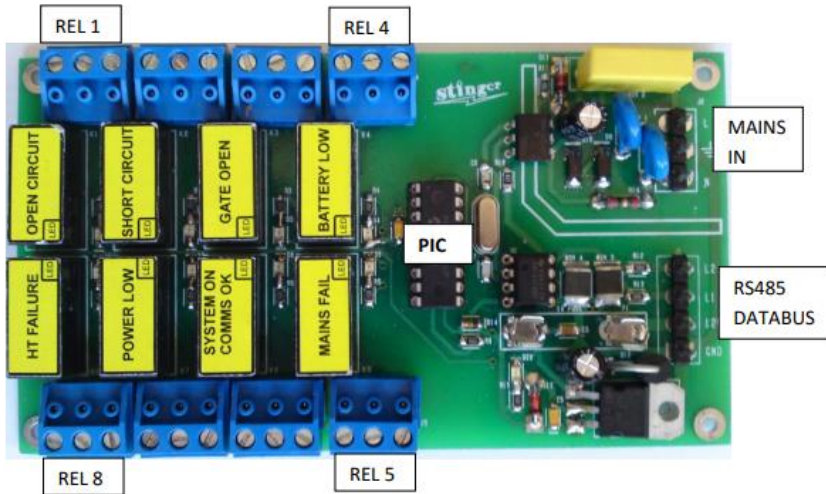
# THE STINGER 8CHRELAY 8 CHANNEL RELAY BOARD



## 1. DESCRIPTION

This relay board can be used to provide a simple means of converting the RS485 serial data used with Stinger energizers into parallel data. This is available as 8 relay outputs with N/O and N/C connections. The functions depicted in the above picture are the normally available outputs for the BS120 Energizer.

## 2. RELAY OUTPUTS



The RELAY outputs for use with ESKOM SKADA system are as follows:

Relay	Function
Relay 1	<b>Fence alarm</b> Short Circuit, Open Circuit, Gate Open
Relay 2	<b>Maintenance</b> Mains Fail, Battery Low, HT/Fence voltage low
Relay 3	<b>System OK</b> System on and communication with all energizers
PIC Code	V2.2 2400

### 3. SPECIFICATIONS

Specification	Rating
Supply voltage	12V to 16V via RS485 port
Mains input	90V to 260V AC
RS485 Port	Compatible with Stinger RS485 protocol/wiring
Protection	RS485 inputs protected with 5V MOVs Mains input protected with MOVs.
Relay outputs	Contact Rating 30V DC and 2 Amp. Max.